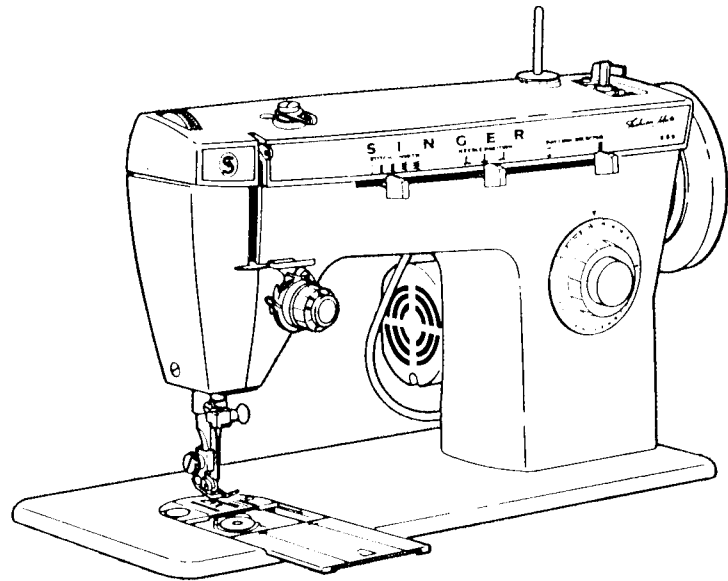


SINGER
252M3/257M3

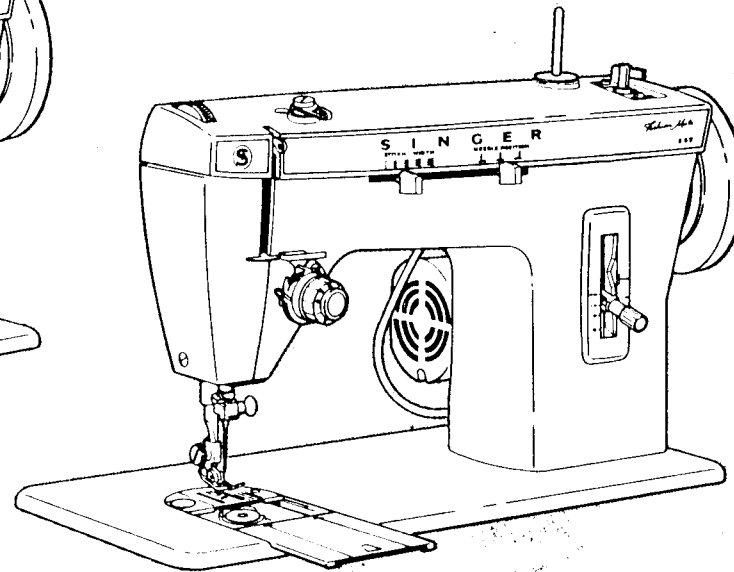
List of Parts

SINGER*

Machine Nos. 252M3 and 257M3



252M3



257M3

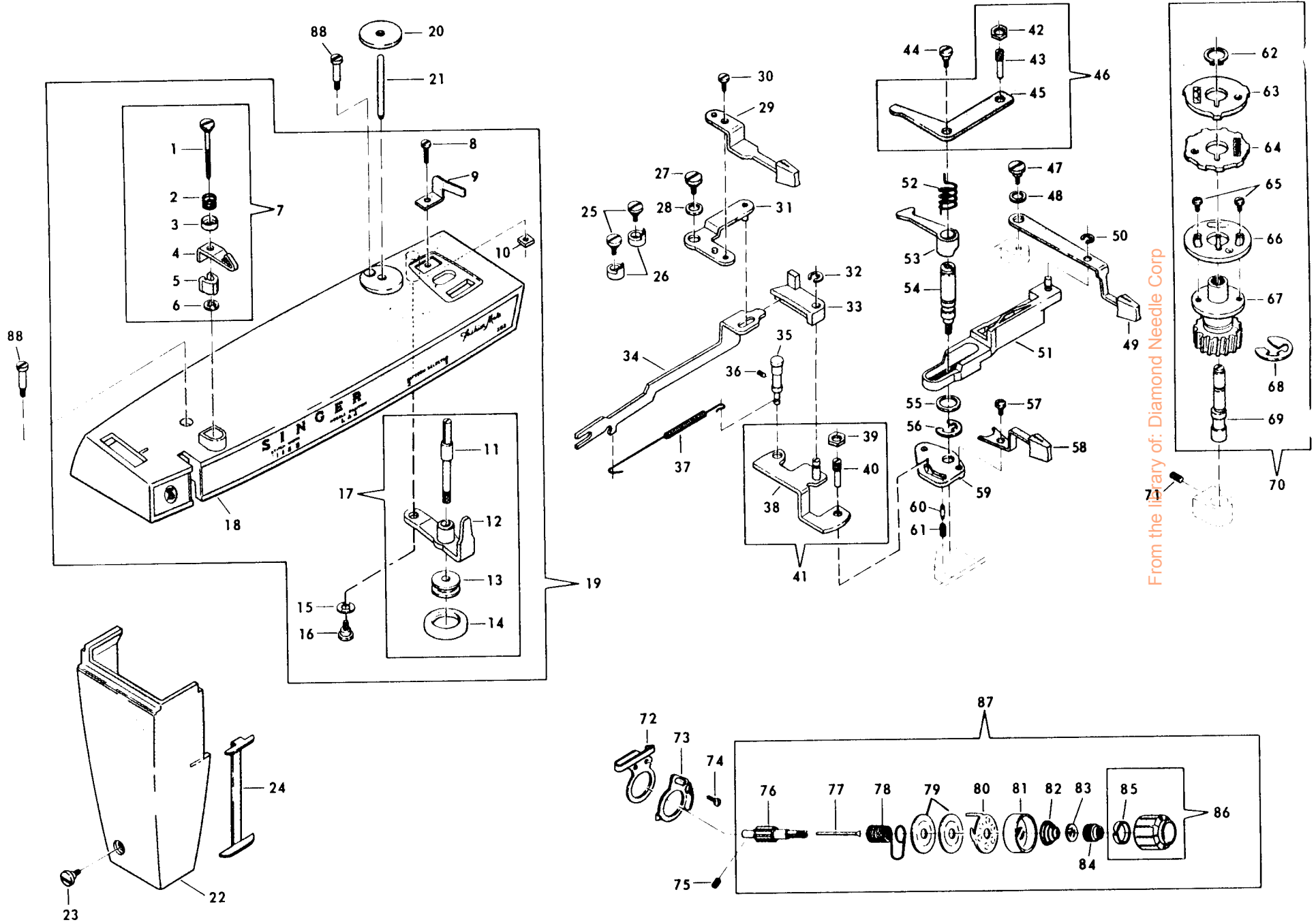
From the library of: Diamond Needle Corp



THE SINGER COMPANY

*A Trademark of THE SINGER COMPANY

List of Parts—Machine Nos. 252M3 and 257M3

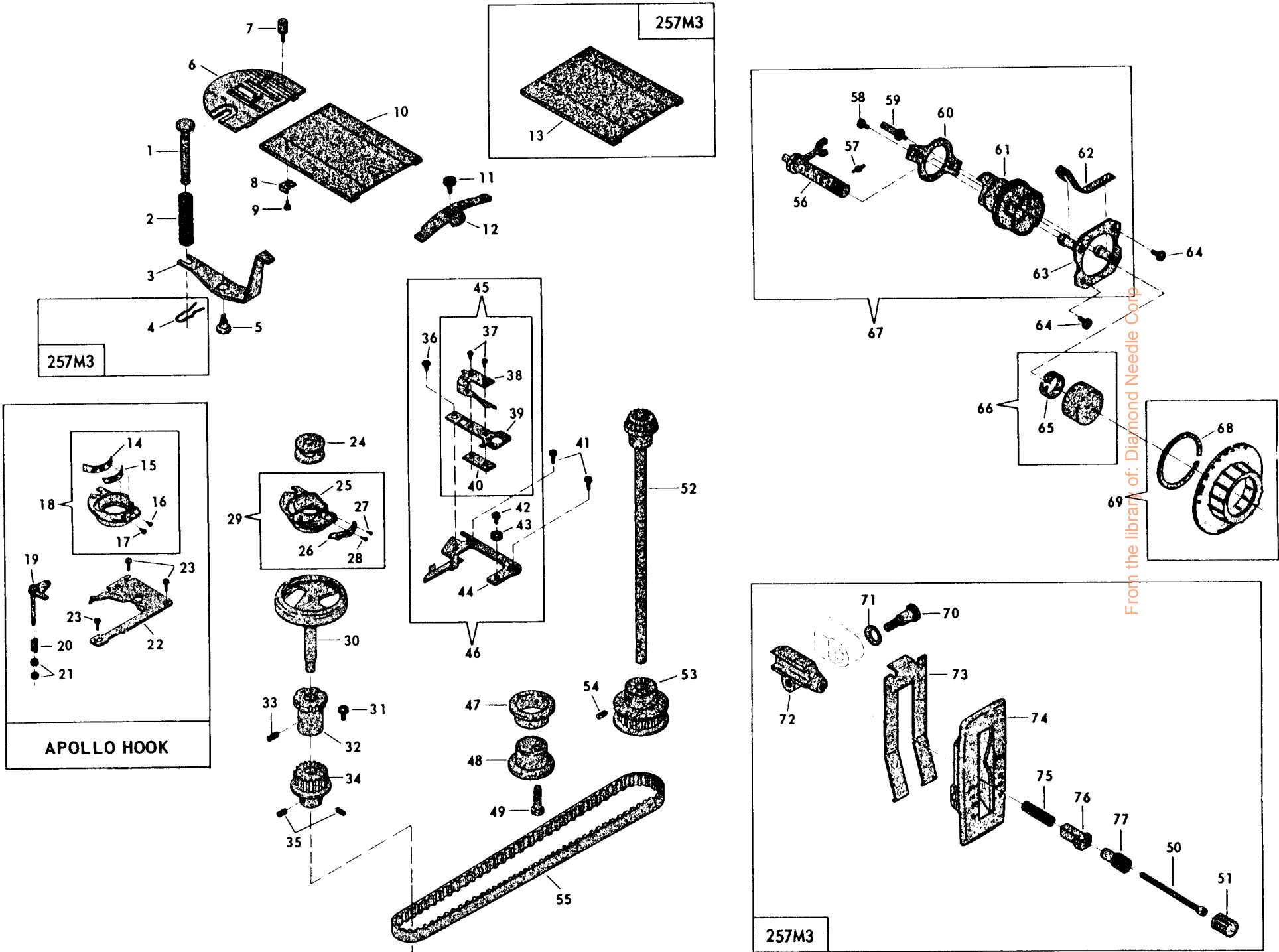


From the library of: Diamond Needle Corp

List of Parts—Machine Nos. 252M3 and 257M3

REF. NO.	PART NO.	DESCRIPTION	252	257	REF. NO.	PART NO.	DESCRIPTION	252	257	REF. NO.	PART NO.	DESCRIPTION	252	257
1	44751	Tension Stud	X	X	32	44477	Retaining Ring	X	X	68	44730	Retaining Ring	X	X
2	45847	Tension Disc Spring	X	X	33	37937	Slide	X	X	69	37261	Gear Shaft	X	X
3	45915	Tension Disc	X	X	34	37933	Needle Bar Driving Arm	X	X	70	37259	Disc Driving Gear		
4	319717	Tension Bracket & Thread Guide	X	X	35	37941	Hinge Stud	X	X			37257 with 37261, 4 4381, 44730, 141807-819, 44731, 276301, 276332	X	
5	44770-408	Tension Bracket Spacer	X	X	36	141938-833	Set Screw	X	X	70	44380	Disc Driving Gear		
6	44447	Tension Stud Retaining Ring	X	X	37	37942	Tension Spring	X	X			37257 with 37261, 44381, 44730, 141807-819, 44731, 276301		X
7	319718	Bobbin Winder Tension Complete 319917 with 44751, 44770-408, 45847, 45915 and 44447	X	X	38	319798	Slide Bracket	X	X	71	141938-833	Set Screw	X	X
8	141808-891	Stop Screw	X	X	39	53641-819	Nut	X	X	72	37990	Thread Guide (Upper)	X	X
9	44365	Bobbin Winder Stop	X	X	40	44471	Screw Stud (Eccentric)	X	X	73	44392	Thread Guide	X	X
10	53640-819	Stop Screw Nut	X	X	41	319800	Needle Bar Driving Arm Slide Bracket 319798 with 44471, 53641-819	X	X	74	141920-891	Screw	X	X
11	319738	Spindle	X	X	42	53641-819	Nut	X	X	75	141803-830	Set Screw	X	X
12	44861	Lever	X	X	43	44471	Screw Stud (Eccentric)	X	X	76	44454	Tension Stud	X	X
13	44440	Pulley	X	X	44	141787-803	Stud Screw	X	X	77	37986	Tension Releasing Pin	X	X
14	15287-701	Friction Ring	X	X	45	37264	Disengaging Lever	X	X	78	66774-002	Take-up Spring	X	X
15	352026	Hinge Screw Washer	X	X	46	37265	Disc Follower Disengaging Lever 37264 with 44471, 53641-819	X	X	79	2102	Tension Disc (2)	X	X
16	141947-819	Hinge Screw	X	X	47	141786-803	Hinge Screw	X	X	80	45343	Thread Guard	X	X
17	44862	Bobbin Winder Complete 15287-701, 44440, 44861, 319738	X	X	48	49204	Hinge Screw Friction Washer	X	X	81	37987-408	Tension Spring Cup	X	X
18	44970-408	Arm Top Cover	X	X	49	319724-408	Disc Selector Lever	X	X	82	125314	Tension Spring	X	X
18	319763-451	Arm Top Cover	X	X	50	44477	Retaining Ring	X	X	83	37984	Stop Washer	X	X
19	37251-408	Arm Top Cover Complete 44365, 44862, 44970-408, 53640-819, 141808-891, 141947-819, 319718, 352026	X	X	51	44721	Disc Selector Cam Slide	X	X	84	507405	Tension Indicator Adaptor	X	X
19	319761-451	Arm Top Cover Complete 44365, 44862, 53640-819, 141808-891, 141947-819, 319718, 319763-451, 352026	X	X	52	44419	Positioning Spring	X	X	85	319773	Compression Ring	X	X
20	173571	Spool Pin	X	X	53	37262	Disc Follower	X	X	86	37979-408	Tension Indicator with 319773	X	X
21	8879-408	Spool Pin Washer (Felt)	X	X	54	37268	Disc Follower Stud	X	X	87	37988-408	Tension (Graduated, Adjustable) Complete 37979-408, 37984, 37986, 37987-408, 44454, 45343, 66774-002, 125314, 507405, 2102(2)	X	X
22	37279-408	Face Plate	X	X	55	37276	Washer	X	X	88	141788-892	Arm Top Cover Screw (2)	X	X
23	141787-892	Screw	X	X	56	44371	Retaining Ring	X	X					
24	44899	Thread Guard	X	X	57	141913-819	Screw	X	X					
25	141787-819	Stop Screw (2)	X	X	58	319725-408	Needle Position Selector Lever	X	X					
26	37248	Lever Link Stop (2)	X	X	59	37953	Bracket	X	X					
27	141786-803	Hinge Screw	X	X	60	37955	Positioning Pin	X	X					
28	49204	Friction Washer	X	X	61	37956	Positioning Pin Spring	X	X					
29	319723-408	Bight Amplitude Control Lever	X	X	62	44731	Retaining Ring	X	X					
30	141913-819	Lever Screw	X	X	63	276332	Disc No. 32 (Blind-stitch Pattern)	X	X					
31	44328	Lever Link	X	X	64	276301	Disc No. 1 (Zig-Zag Pattern)	X	X					
					65	141807-819	Positioning Screw (2)	X	X					
					66	44381	Spacer (Plastic)	X	X					
					66	319694	Disc for Zig-Zag Stitch, One Piece Design Alternate to 44381 (Ref. No. 66) and 276301 (Ref. No. 64)	X	X					
					67	37257	Gear	X	X					

List of Parts—Machine Nos. 252M3 and 257M3

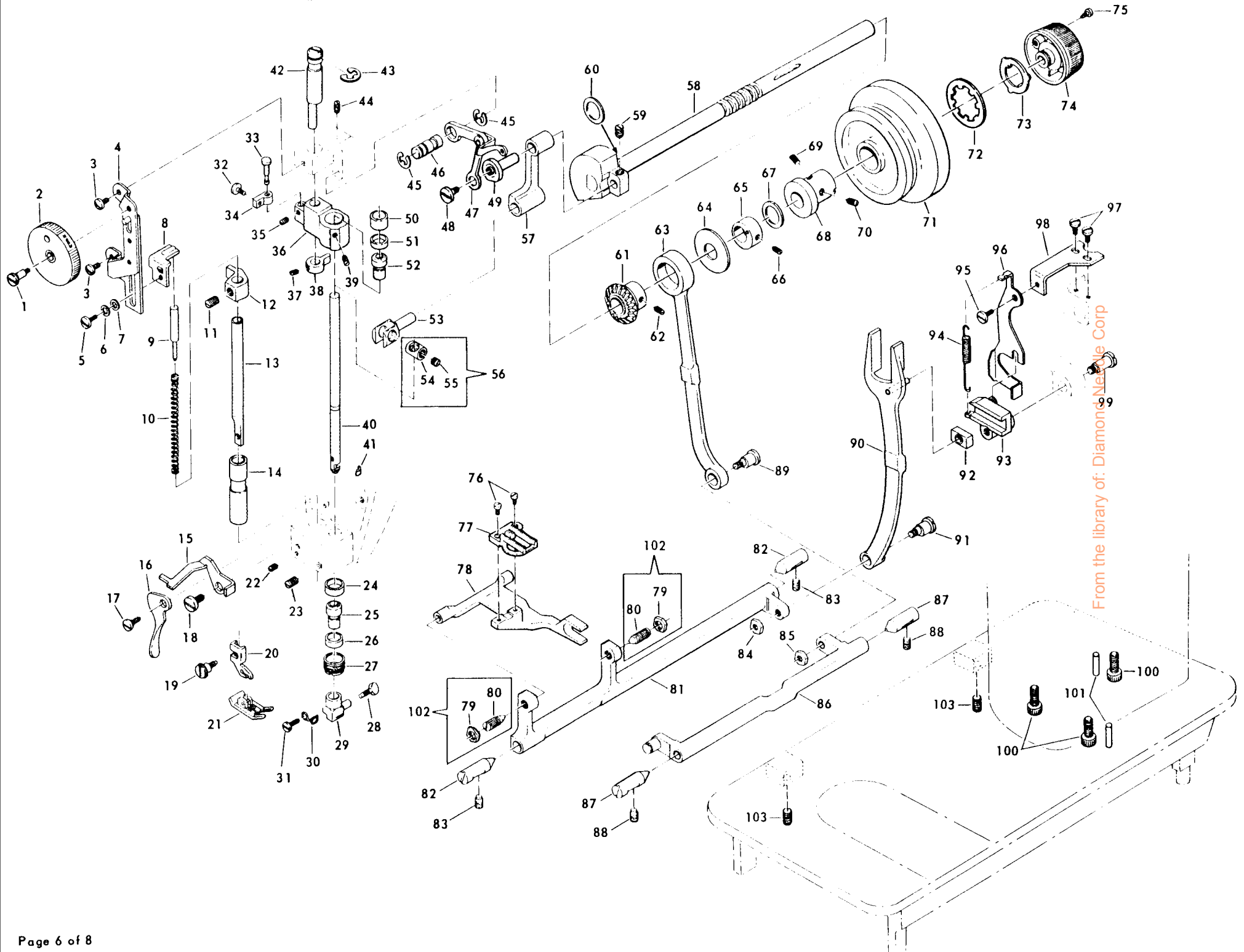


List of Parts—Machine Nos. 252M3 and 257M3

REF. NO.	PART NO.	DESCRIPTION	252	257	REF. NO.	PART NO.	DESCRIPTION	252	257	REF. NO.	PART. NO.	DESCRIPTION	252	257
1	102840	Throat Plate Clamp	X	X	35	141803-830	Set Screw (2)	X	X	67	37904	Feed Regulator Mechanism Complete 37292, 37909, 44872		
2	179657	Throat Plate Clamp Spring	X	X	36	141346-850	Hinge Screw (Back)	X	X	68	37300	Control Dial Spring Clip	X	
3	44517	Releasing Lever	X		37	50202-833	Cushion Spring Screw(2)	X	X	69	37902-408	Feed Regulator Control Dial with 37300	X	
4	179658	Retaining Clip		X	38	44717	Cushion Spring	X	X	70	141790-850	Hinge Screw		X
5	141947-819	Screw	X		39	153375	Cushion Spring Bracket	X	X	71	44438	Friction Washer		X
6	37996	Throat Plate for Zig-Zag Sewing	X	X	40	155469	Cushion Spring Bracket Plate	X	X	72	44418	Feed Regulator		X
7	44808	Position Pin	X	X	41	354101-819	Position Finger Screw	X	X	73	44709	Retaining Spring		X
8	44518	Releasing Lever	X		41	354101-819	Locating Screw	X	X	74	44844-408	Stitch Indicator Plate		X
		Actuator	X		42	141345-819	Adjusting Screw	X	X	75	44439	Stitch Indicator Spring		X
9	1172-806	Screw	X		43	155464	Adjusting Screw Washer	X	X	76	44388-408	Stitch Indicator (Plastic)		X
10	44516	Bed Slide	X		44	44511	Position Finger	X	X	77	44387	Screw Stud Thumb Nut		X
11	141848-819	Screw	X	X	45	44718	Rotating Hook Bobbin Case Cushion Spring Bracket 153375 with 44717, 155469, 50202-833	X	X					
12	37239	Spring	X	X	46	44630	Rotating Hook Bobbin Case Position Finger & Cushion Spring Bracket Complete 44511, 44718, 141345-819, 141346-850, 155464	X	X					
13	44838	Bed Slide		X	47	44410	Tension Adjuster Roller	X	X					
14	310884	Tension Spring Segment (Apollo)	X	X	48	44409	Tension Adjuster (Eccentric)	X	X					
15	310883	Tension Spring (Apollo)	X	X	49	141794-819	Tension Adjuster Screw	X	X					
16	139975-803	Segment Screw (Apollo)	X	X	50	141795-819	Screw Stud		X					
17	354183-451	Tension Regulating Screw (Apollo)	X	X	51	44897-408	Thumb Nut Cap (Plastic)		X					
18	310885	Rotating Hook Bobbin Case with 139975-803, 310883, 310884, 354183-451 (Apollo)	X	X	52	37231	Arm Shaft (Upright) with Bevel Gear	X	X					
19	44890	Retaining Plate (Apollo)	X	X	53	37234	Arm Shaft (Upright) Belt Drive Pulley (Machined) with 141803-830	X	X					
20	44892	Stud Spring (Apollo)	X	X	54	141803-830	Drive Pulley Set Screw	X	X					
21	54576-819	Nut (2) (Apollo)	X	X	55	37977	Driving Belt (Rubber)	X	X					
22	44873	Position Plate (Apollo)	X	X	56	37909	Positioning Pin	X						
23	141773-890	Position Plate Screw (3) (Apollo)	X	X	57	44872	Cam Follower (Stud)	X						
24	172336	Bobbin (Plastic)	X	X	58	141844-819	Mounting Plate Screw	X						
25	172082-007	Bobbin Case	X	X	59	44465	Follower Guide (Screw Stud)	X						
26	172202	Tension Spring	X	X	60	37295	Mounting Plate	X						
27	141030-830	Tension Spring Screw	X	X	61	37291	Feed Regulator Cam	X						
28	1172-806	Tension Regulating Screw	X	X	62	44420	Friction Spring	X						
29	153758	Rotating Hook Bobbin Case with 1172-806, 141030-830, 172082-007 and 172202	X	X	63	37906	Mounting Plate	X						
30	44506	Rotating Hook	X	X	64	141848-819	Mounting Plate Screw(2)	X						
31	139943-803	Adjusting Screw	X	X	65	319773	Compression Ring	X						
32	44512	Flanged Bushing (Eccentric)	X	X	66	44618-408	Feed Regulator Positioning Pin Knob with 319773	X						
33	141925-833	Set Screw	X	X										
34	37974-001	Rotating Hook Belt Drive Pulley with two 141803-830	X	X										

From the library of: Diamond Needle Co.

List of Parts—Machine Nos. 252M3 and 257M3



From the library of: Diamond Needle Corp

List of Parts—Machine Nos. 252M3 and 257M3

REF. NO.	PART NO.	DESCRIPTION	252	257	REF. NO.	PART NO.	DESCRIPTION	252	257	REF. NO.	PART NO.	DESCRIPTION	252	257
1	141941-819	Regulating Knob Screw	X	X	44	141938-833	Hinge Stud Set Screw	X	X	84	53648-819	Nut	X	X
2	44840-408	Pressure Regulating Knob	X	X	45	44472	Retaining Ring (2)	X	X	85	53648-819	Nut	X	X
3	141913-819	Bracket Screw (2)	X	X	46	44421	Hinge Stud	X	X	86	37286	Feed Lifting Rock Shaft	X	X
4	319804	Bracket	X	X	47	319860	Thread Take-up Lever	X	X	87	37287	Center (2)	X	X
5	141848-819	Adjusting Bracket Screw	X	X	48	141809-805	Take-up Lever Cap Screw	X	X	88	141925-833	Set Screw (2)	X	X
6	44467	Lock Washer	X	X	49	319825	Thread Take-up Crank	X	X	89	141805-850	Hinge Screw (Eccentric)	X	X
7	37969	Washer	X	X	50	37928	Adjusting Collar	X	X	90	37283	Feed Forked Connection	X	X
8	37968	Adjusting Bracket	X	X	51	507379	Ball Bushing Socket	X	X	91	141805-850	Hinge Screw (Eccentric)	X	X
9	37959	Extension Pin	X	X	52	37927	Needle Bar Ball Bushing	X	X	92	44437	Slide Block	X	X
10	44449	Presser Bar Spring	X	X	53	37930	Connecting Stud	X	X	93	37290	Feed Regulator	X	
11	141925-833	Guide Bracket Set Screw	X	X	54	37931	Connecting Stud Hinge	X	X	94	319777	Feed Regulator Return Spring	X	
12	44444	Presser Bar Guide Bracket with 141925-833	X	X	55	141916-833	Clamping Screw	X	X	95	141830-803	Control Arm Hinge Screw	X	
13	319758	Presser Bar (Hollow)	X	X	56	37932	Needle Bar Connecting Stud Hinge 37931 with 141916-833	X	X	96	37297	Control Arm Hinge Screw	X	
14	37958	Presser Bar Bushing	X	X	57	44752	Connecting Link	X	X	97	141848-819	Mounting Bracket Screw (2)	X	
15	37985	Tension Releasing Lever	X	X	58	44374	Arm Shaft (Horizontal) with 354105-833	X	X	98	37299	Mounting Bracket	X	
16	44445	Presser Bar Lifter	X	X	59	354105-833	Set Screw	X	X	99	141799-850	Feed Regulator Hinge Screw	X	X
17	141846-803	Hinge Screw	X	X	60	319764	Washer (Plastic)	X	X	100	141784-805	Arm Screw (3)	X	X
18	141786-803	Hinge Screw	X	X	61	37229	Arm Shaft (Horizontal)	X	X	101	44793	Arm Dowel Pin (2)	X	X
19	354135-451	Thumb Screw	X	X	62	141918-833	Bevel Gear (Plastic) & Feed Lifting Eccentric with 141918-833	X	X	102	44505	Feed Bar Screw Center 141921-850 with 53647-819 (2)	X	X
20	155964	Presser Foot Shank	X	X	63	37288	Set Screw	X	X	103	141925-833	Machine Hinge Connection Set Screw (2)	X	X
21	155962	Presser Foot Plate	X	X	64	37284	Connecting Rod	X	X					
22	141803-830	Set Screw	X	X	65	37281	Retaining Washer	X	X					
23	141803-830	Set Screw	X	X	66	141918-833	Feed Cam with 141918-833	X	X					
24	44450	Bushing Socket (Upper)	X	X	67	319764	Set Screw	X	X					
25	37927	Needle Bar Ball Bushing	X	X	68	44679	Washer (Plastic)	X	X					
26	507379	Bushing Socket (Lower)	X	X	69	141916-833	Clamp Stop Motion Flanged Bushing with 141915-833, 141916-833	X	X					
27	44473	Adjusting Screw	X	X	70	141915-833	Set Screw	X	X					
28	511171-892	Needle Thumb Screw	X	X	71	319893-451	Positioning Screw	X	X					
29	319728	Needle Clamp Body	X	X	72	319892	Hand Wheel Complete with 319892	X	X					
30	319721	Thread Guide	X	X	73	44464	Clamping Ring	X	X					
31	141808-892	Needle Clamp Body, Needle Clamp Thread Guide & Needle Stop Screw	X	X	74	44468-408	Clamp Washer	X	X					
32	141844-819	Hinge Bracket Screw	X	X	75	141914-892	Clamp Screw (Plastic)	X	X					
33	37935	Hinge Bracket Hinge Pin	X	X	76	141920-833	Stop Screw	X	X					
34	37934	Hinge Bracket	X	X	77	103188	Feed Dog Screw (2)	X	X					
35	141940-833	Set Screw	X	X	78	37280	Feed Dog	X	X					
36	37944	Vibrating Bracket	X	X	79	53647-819	Feed Bar	X	X					
37	141940-833	Collar Set Screw	X	X	80	141921-850	Screw Center Nut (2)	X	X					
38	44673	Needle Bar Vibrating Bracket Hinge Pin (Eccentric) Collar with 141803-830	X	X	81	37915	Feed Bar Screw Center (2)	X	X					
39	141803-830	Collar Set Screw	X	X	82	37287	Feed Rock Shaft	X	X					
40	37926	Needle Bar	X	X	83	141925-833	Feed Rock Shaft Center (2) Set Screw (2)	X	X					
41	37943	Needle Bar Gib	X	X										
42	44684	Hinge Pin (Eccentric)	X	X										
43	44371	Retaining Ring	X	X										

From the library of the Needle & Thread Museum

List of Parts—Machine Nos. 252M3 and 257M3

ATTACHMENT SETS (Not Illustrated)

PART NO.	DESCRIPTION	252	257
381094	Attachment Set Complete with 161295, 161963, 171285, 171498, 507836 and three each 172336 and N2020	X	
381095	Attachment Set Complete with 161295, 161894, 171498 and three each 172336 and N2020		X
N2020	Needles 15 x 1 Size 14 (3)	X	X
161295	Screwdriver (small) with molded plastic handle	X	X
161894	Throat Plate Raising Plate		X
161963	Blindstitch Guide	X	
171285	Feed Cover Plate	X	
171498	Special Purpose Presser Foot Plate	X	X
172336	3 Bobbins (plastic)	X	X
507836	Presser Foot Plate Complete for Cording and Slide Fasteners	X	

From the library of: Diamond Needle Corp